

226

COMPILED BY M. N. BEITMAN, SUPREME PUBLICATIONS



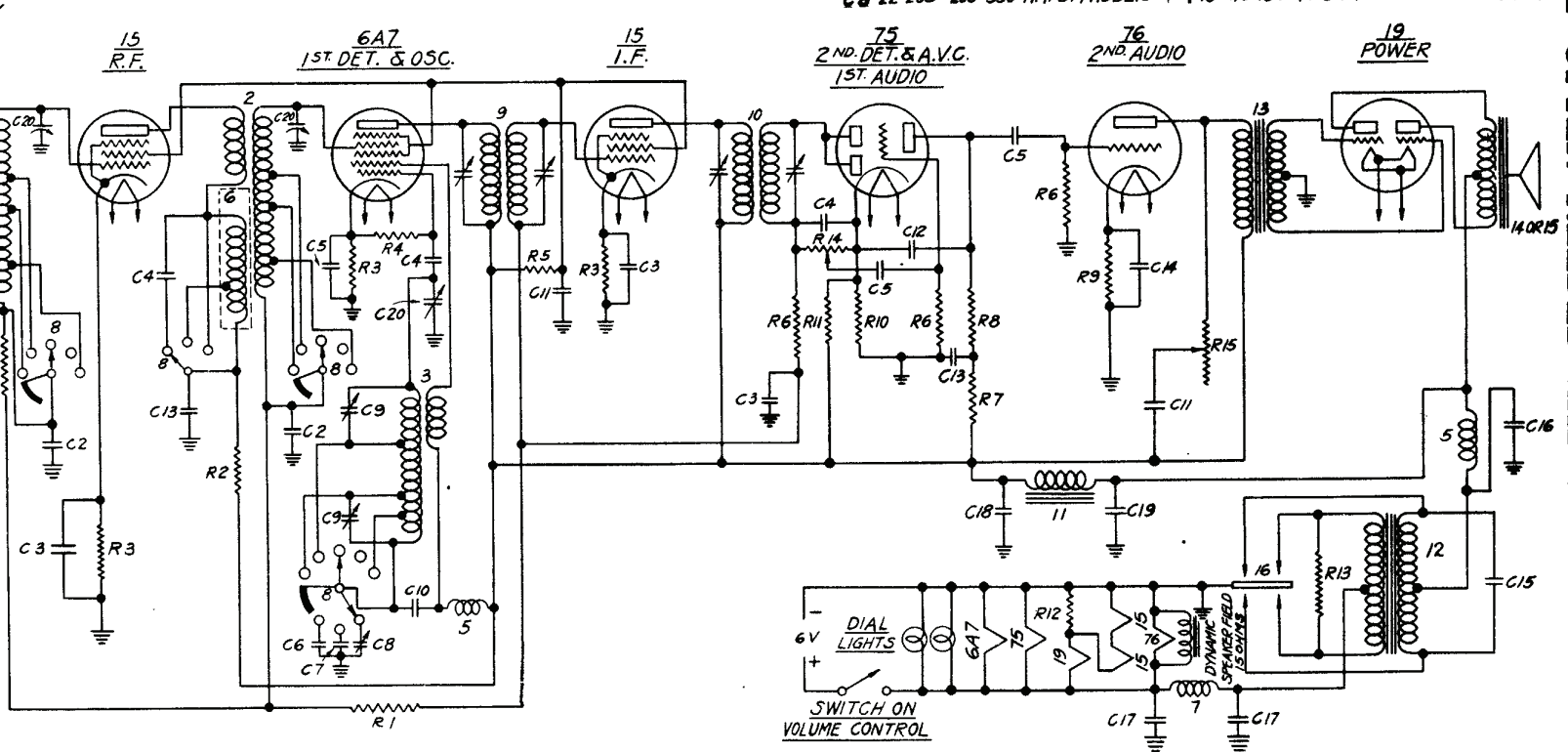
3 BAND { 550 KC. - 1780 KC.
2100 KC. - 6800 KC.
7000 KC. - 23000 KC.

I.F. FREQUENCY 456 KC.
6 TUBE BATTERY SUPERHETERODYNE
CHASSIS No 5621

MODELS - 6V27, 6V62

ZENITH RADIO CORP.

DIAG. NO.	PART NUMBER	DESCRIPTION	DIAG. NO.	PART NUMBER	DESCRIPTION
R1	63-278	99 M OHMS	C9	22-408	2.35 MMFD. PADDER
R2	63-361	5 M	C10	22-82	.001 MFD.
R3	63-362	400	C11	22-212	.05
R4	63-280	4.9 M	C12	22-182	.00025
R5	63-353	1.9 M	C13	22-224	.1
R6	63-293	990 M	C14	22-225	.5
R7	63-290	260 M	C15	22-437	.01
R8	63-258	490 M	C16	22-228	.1
R9	63-272	4 M	C17	22-251	.5
R10	63-238	1 M	C18	22-432	8
R11	63-260	100 M	C19	22-432	2
R12	63-477	100	C20	22-409	456 MMF. VAR. COND.
R13	63-394	200	L	5-3697	ANT. COIL ASSEM.
R14	63-456	200 M	2	5-3698	DET. COIL ASSEM.
R15	63-458	50 M	3	5-3699	OSC. COIL ASSEM.
			4	20-82	ANT. CHOKE
			5	20-88	R.F. CHOKE
			6	20-119	R.F. PLATE CHOKE
			7	5-2778	R.F. CHOKE
			8	85-78	BAND SELECTOR SWITCH
			9	95-291	1ST I.F. TRANS.
			10	95-292	2ND I.F. TRANS.
			11	95-290	POWER CHOKE
			12	95-305	RECTIFIER TRANS.
			13	95-311	AUDIO TRANS.
			14	49-132	8" MAG. SPEAKER MOD. 6V27
			15	49-134	12" DYN. " " MOD. 6V62



MANUAL OF MOST-OFTEN-NEEDED RADIO DIAGRAMS